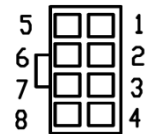


Connector 1



- | | |
|--------------------|-----------------|
| 1 Black :GND | 8 Green: V_Comm |
| 2 Red: B+ | 9 Blue: M_RPM |
| 3 Yellow: 5V | 10 White W_RPM |
| 4 Black GND | 11 Black: GND |
| 5 Orange: SCL | 12 Purple: TMM4 |
| 6 Grey: Crank | 13 Brown: +6V |
| 7 light green: SDA | 14 Pink: GND1 |

Connector 2



- | |
|----------------------|
| 1 Light Green: V_Com |
| 2 Yellow: 5V |
| 3 White: W_RPM |
| 4 Blue: M_RPM |
| 5 Orange: SCL |
| 6 Black: GND |
| 7 Green: V_Com |

Connector 5



- | |
|---------------|
| 1 Red: 5V |
| 2 Black: TMM4 |
| 3 Blue: GND1 |

Connector 6

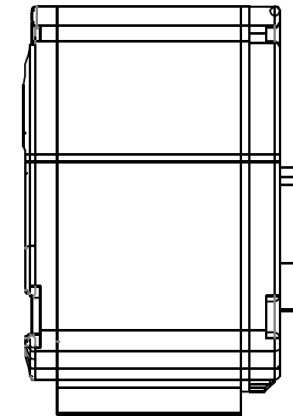
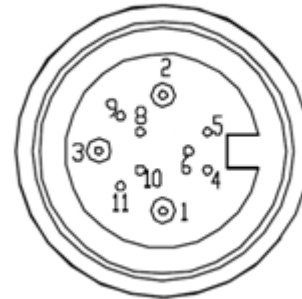
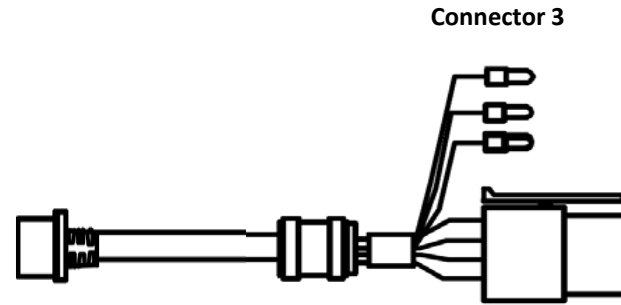
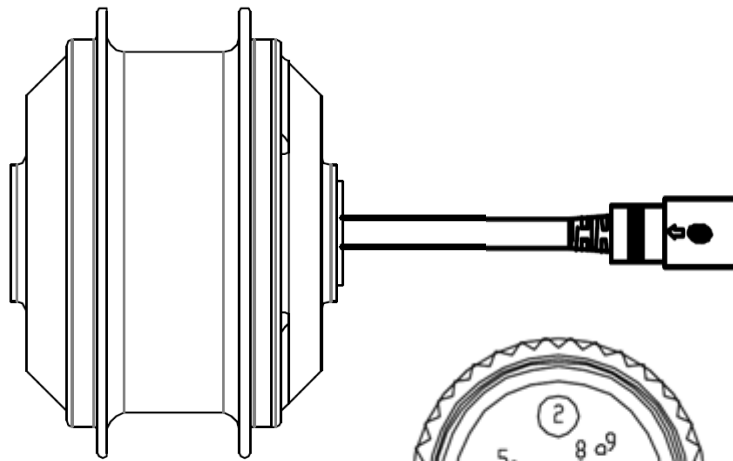


- | |
|---------------|
| 1 Yellow: 5V |
| 2 Grey: Crank |
| 3 Pink: GND1 |

Connector 7/8



- | |
|--------------|
| 1 Brown: +6V |
| 2 Black: GND |



Connector 3

Connector 4

Connector 4

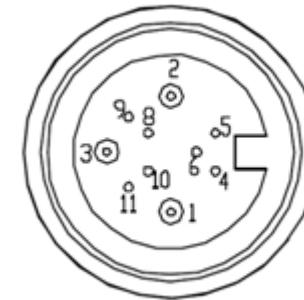


- 1 Yello: Motor Hall A
- 2 Green: Motor Hall B
- 3 Blue: Motor Hall C
- 4 Black: GND
- 5 White: W_RPM
- 6 Red: +5V

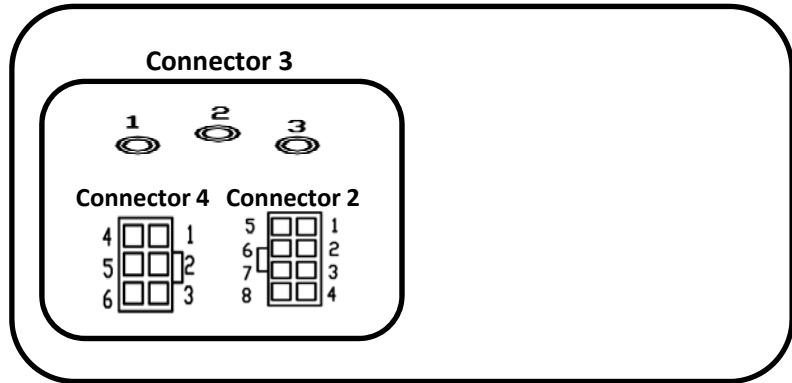
Connector 3



- 1 Yellow: Motor phase A
- 2 Green: Motor phase B
- 3 Blue: Motor phase C



- 1 Yellow: Motor phase A
- 2 Green: Motor phase B
- 3 Blue: Motor phase C
- 4 Yellow: Motor Hall A
- 5 Green: Motor Hall B
- 6 Black: GND
- 8 With: W_RPM
- 9 Red: +5V
- 10 No Signal
- 11 Blue: Motor Hall C



Connector 4



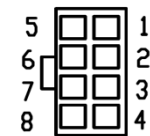
- 1 Yello: Motor Hall A
- 2 Green: Motor Hall B
- 3 Blue: Motor Hall C
- 4 Black: GND
- 5 White: W_RPM
- 6 Red: +5V

Connector 3



- 1 Yellow: Motor phase A
- 2 Green: Motor phase B
- 3 Blue: Motor phase C

Connector 2



- 1 Light Green: V_Com
- 2 Yellow: 5V
- 3 White: W_RPM
- 4 Blue: M_RPM
- 5 Orange: SCL
- 6 Black: GND
- 7 Green: V_Com